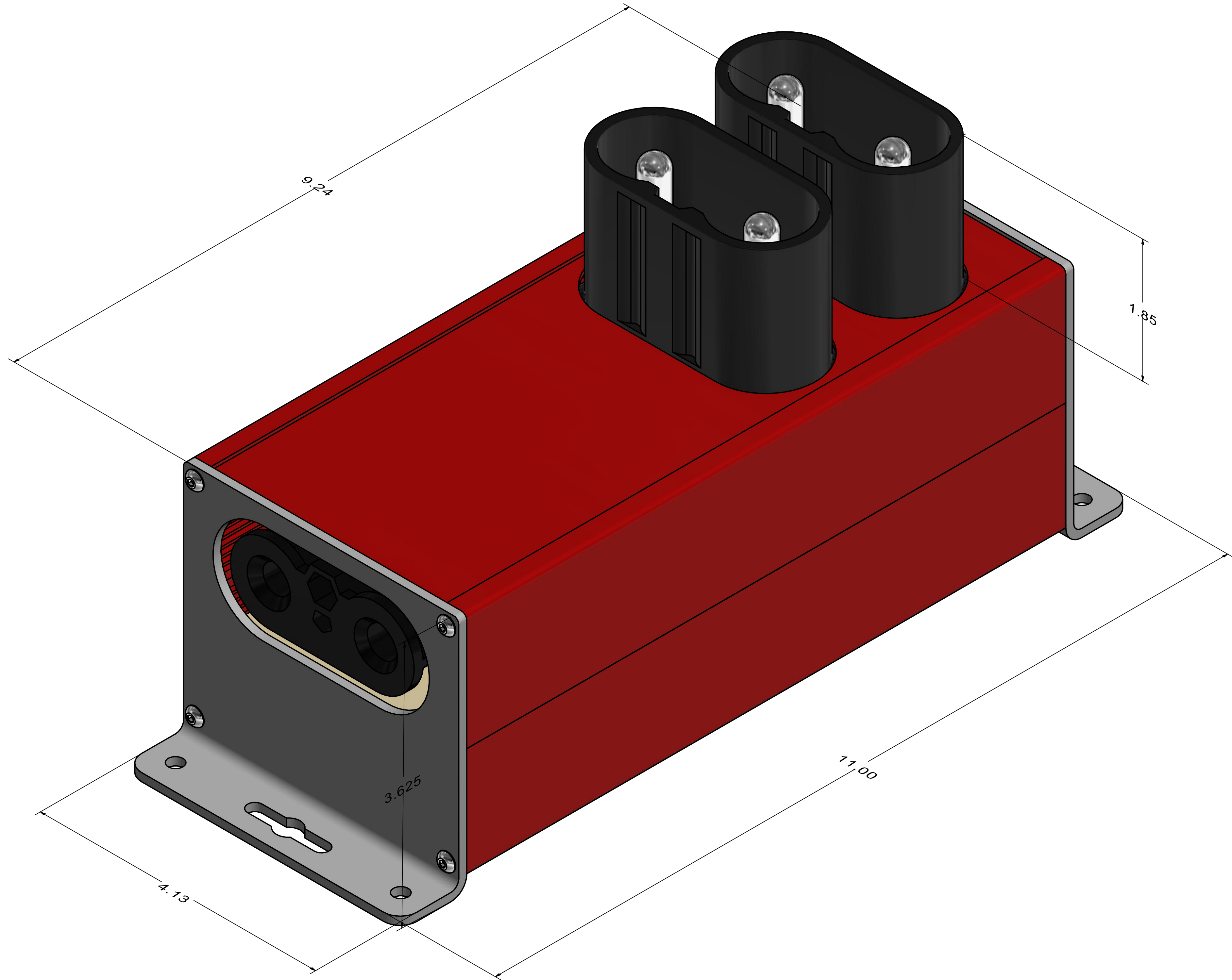


76-DIN2P-01 Combiner Box



PROPRIETARY AND CONFIDENTIAL: THE INFORMATION CONTAINED IN THIS DRAWING IS THE SOLE PROPERTY OF LITHIONICS BATTERY. ANY REPRODUCTION IN PART OR AS A WHOLE WITHOUT THE WRITTEN PERMISSION OF LITHIONICS BATTERY IS PROHIBITED.	UNLESS OTHERWISE SPECIFIED: DIMENSIONS ARE IN INCHES TOLERANCES: FRACTIONAL +/- 1/32 ANGULAR +/- .25° BEND +/- TWO PLACE DECIMAL +/- .020 THREE PLACE DECIMAL +/- .005	DRAWN James Bowling 3/7/2018	Lithionics Battery	
		CHECKED T. Clock 10/27/2017		
		QA C. Hakimian 10/27/2017	PART NO. 76-DIN2P-01, M	DESCRIPTION 76-DIN2P-01 Marketing View
		MFG A. Silberhorn 10/27/2017	APPROVEDS. Tartaglia 10/27/2017	REV 0
		DWG NO.	SHEET 1 OF 1	